



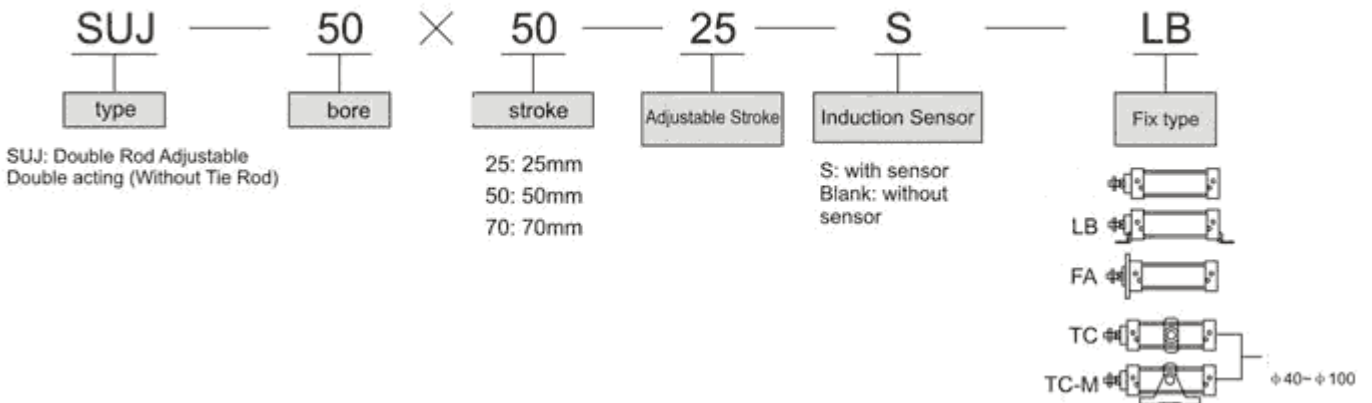
Tel: 86-577-62698557/E-mail: sales99@chinacnzj.com <http://www.chinacnzj.com>

SUJ series



Yueqing Zongjiu Machinery Co., Ltd.

ORDER NO

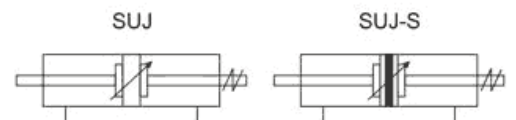


For example:

1\ If you want to order cylinder with 80mm bore, 250mm stroke, adjustable stroke is 25mm, and magnet, which is the Double rod adjustable Double acting cylinder adopting LB fix type, the right order Number is: SUJ-80×250-25-S-LB;

2\ If you want to order cylinder with 40mm bore, 100mm stroke, adjustable stroke is 25mm, and No magnet, which is the Double rod adjustable Double acting cylinder adopting FA fix type, the right order Number is: SUJ-40×100-25-FA.

SIGN





Tel: 86-577-62698557/E-mail: sales99@chinacnzi.com <http://www.chinacnzi.com>

■ SPECIFICATION

Bore (mm)	32	40	50	63	80	100
Acting type	Double acting					
Working medium	air					
Fix type	[BASIC TYPE) FA LB TC TC-M					
The range of pressure Kg/cm ²	1~9.0					
Promised pressure (Kg/cm ²)	13.5					
The range of temperature(°C)	-5~70					
The range of speed (mm/sec)	30~800					
Cushion type	adjustable cushion					
Cushion stroke (mm)	24			32		
The bore of the mounting	PT1/8	PT1/4		PT3/8		PT1/2

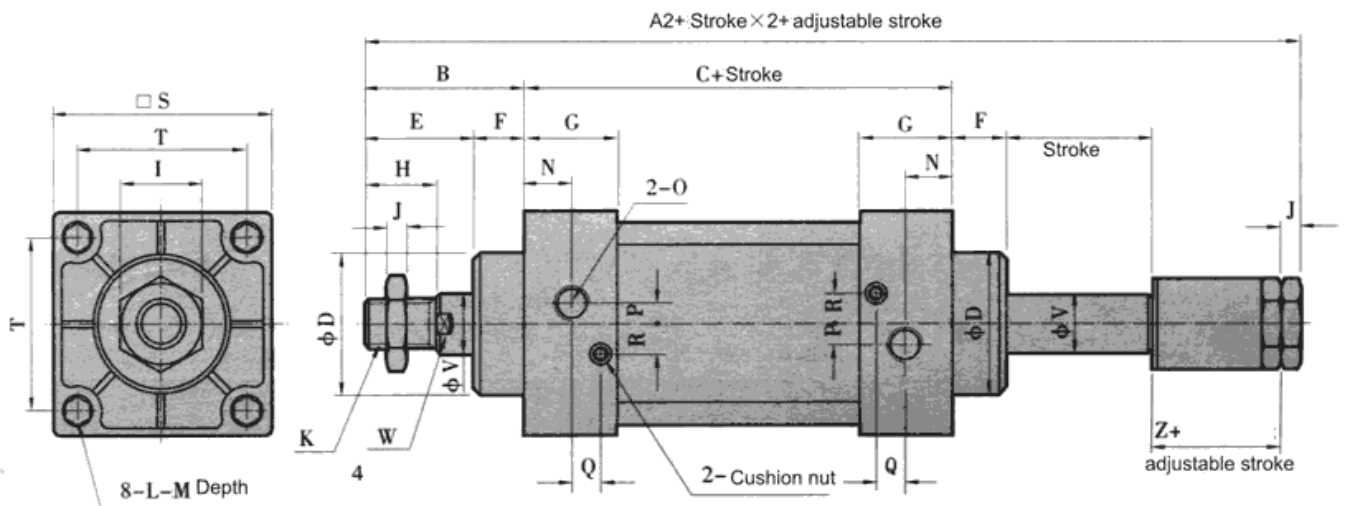
■ STROKE

Bore (mm)	Standard stroke										Max stroke	admitted stroke		
32	25	50	75	80	100	125	150	160	175	200	200	300		
40	25	50	75	80	100	125	150	160	175	200	200	300		
50	25	50	75	80	100	125	150	160	175	200	200	300		
63	25	50	75	80	100	125	150	160	175	200	200	300		
80	25	50	75	80	100	125	150	160	175	200	250	300	300	400
100	25	50	75	80	100	125	150	160	175	200	250	300	300	400

If you need special stroke cylinder please contact our company.

■ BASIC SIZE

※ $\phi 32 \sim \phi 100$ ※





Tel: 86-577-62698557/E-mail: sales99@chinacnzej.com <http://www.chinacnzej.com>

Bore / Sign	A2	B	C	D	E	F	G	H	I	J	K	L
32	182	47	93	28	32	15	27.5	22	17	6	M10×1.25	M6×1
40	185	49	93	32	34	15	27.5	24	17	7	M12×1.25	M6×1
50	196	57	93	38	42	15	27.5	32	23	8	M16×1.5	M6×1
63	199	57	96	38	42	15	27.5	32	23	8	M16×1.5	M8×1.25
80	242	75	107	47	54	21	33	40	26	10	M20×1.5	M10×1.5
100	248	75	113	47	54	21	33	40	26	10	M20×1.5	M10×1.5

Bore / Sign	M	N	O	P	Q	R	S	T	Y	W	Z
32	9.5	13.7	PT1/8	3.5	7.5	7	45	33	12	10	21
40	9.5	13.5	PT1/4	6	8.2	9	50	37	16	14	21
50	9.5	13.5	PT1/4	8.5	8.2	9	62	47	20	17	23
63	9.5	13.5	PT3/8	7	8.2	8.5	75	56	20	17	23
80	11.5	16.5	PT3/8	10	9.5	14	94	70	25	22	29
100	11.5	16.5	PT1/2	11	9.5	14	112	84	25	22	29

The cylinder with magnet has the same size to the one without magnet